

## True Online Double Conversion UPS System

### FEATURES

- Online double conversion with DSP control.
- N+ X parallel redundancy
- Input current harmonic: <3%
- Optimization battery group, quantity of battery: 16/18/20 pieces (settable).
- Battery Temperature Compensation.
- High output power factor at 0.9PF
- Support generator input & Cold start.
- Support Economic (ECO) Operation.
- Self-testing when UPS startup.
- Common Battery Bank.

### RELIABLE PROTECTIONS

- Input low voltage.
- Input over current.
- Overload & Short circuit.
- PFC and Inverter over temperature.
- Battery over charge and low voltage alarm

### APPLICATION

- Industry equipment, IT equipment
- Servers, Computer Rooms
- Communication system and other networking equipment
- Precise Equipment

Long Backup Unit  
(Back View) ▶



# MP PRO

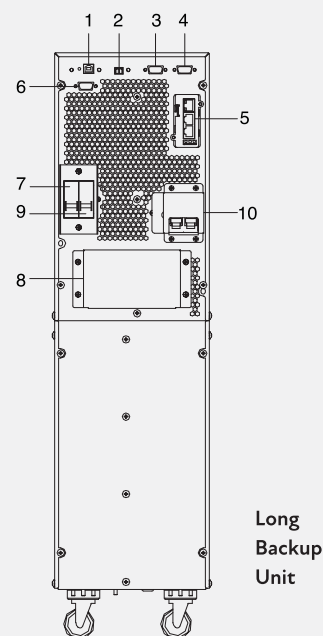
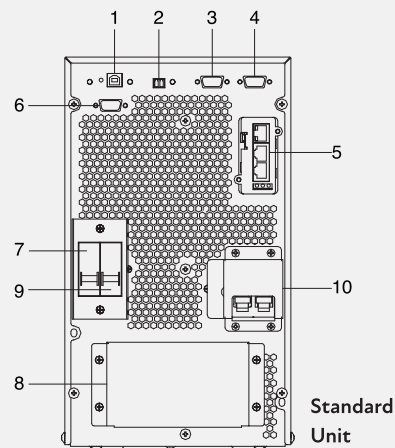
## 6KVA~10KVA

MP Series 0.8 PF / 0.9PF / 1.0PF

### SPECIFICATIONS

TYPE	6KVA / 10KVA	6KVA / 10KVA	6KVA / 10KVA
Capacity (VA/W)	4.8KW / 8KW	5.4KW / 9KW	6KW / 10KW
<b>AC INPUT</b>			
Input	Single phase & Ground		
Power Factor	≥0.99 (Input THDV ≤1%)		
Rated Voltage	220/230/240Vac		
Voltage Range	110~286Vac		
Rated Frequency	50Hz/60Hz Automatically selected		
Frequency range	40~70Hz		
Bypass Voltage range	220Vac max: default +25% (+10%, +15%, 20%, 25%) 230Vac max: default +20% (+10%, +15%, 20%), 240Vac max: default +15% (+10%, +15%) Range Min. voltage: -45% (optional -20%, -30%, -45%)		
Bypass freq. range	±1%, ±2%, ±4%, ±5%, ±10%		
THDI	≤3% (100% liner load input THDV ≤1%), ≤5% (100% non liner load input THDV ≤1%)		
<b>BATTERY</b>			
Battery number / Type	16/18/20 Pcs. Can be set / VRLA		
Charge model / Time	Boost charge or float charge auto switch / Boost charge up to 20Hr(Max)		
Charge current (Max)	10A(H) 1A(S)		
<b>AC OUTPUT</b>			
Output type	Single phase & Ground		
Voltage regulation	±1.0%		
Voltage distortion(THD)	Less than 2% at 100% liner load, Less than 5% at 100% non liner load		
Rated voltage	220V/230V/ 240Vac can be setted		
Frequency regulation	±0.1% (stand alone) , ±0.25% (parallel operation)		
Frequency	Utility mode: tracking mains frequency, Battery mode: 50Hz/60Hz		
Frequency track speed	1Hz/s (stand alone), 0.5Hz/s (parallel operation)		
load capacity (PF0.8/0.9)	105%~ 110% , lasts 1 hour / 110%~125%, lasts 10 minutes / 125%~150%, lasts 1 minute >150%, switch to bypass immediately		
load capacity (PF1.0)	105%~ 110% , lasts 10 minutes / 110%~130%, lasts 1 minutes >130% , switch to bypass immediately		
Overload for bypass	>95%, can not inverter-fed Load for a long time when rated output current under 125% Bypass load capacity is controlled by bypass circuit breaker, tripping when circuit breaker operating current.		
Crest factor	3:1		
Efficiency at AC	92%		
Dynamic respond	± 5.0% (100% balance load), ≤5% in a cycle		
DC component	≤200mV		
<b>SWITCH TIME</b>			
	Between Normal and battery mode: 0ms, Between Normal and battery mode: 0ms, <15ms (50Hz), <13.33ms (60Hz)		

Noise: <55dB (1m)      Display: LED+LCD  
 Isolation resistance: >2MΩ(500Vdc)      Isolation intension: 2820Vdc<3.5mA, 1min  
 Working Temperature: 0°C~40 °C      Max input voltage: 320Vac, 1 hour (static)



### REAR PANEL

(without Maintenance)

- 1) USB
- 2) EPO
- 3) Parallel port 1
- 4) Parallel port 2
- 5) Intelligent slot
- 6) RS232
- 7) Input switch
- 8) Terminals (covered)
- 9) Output switch
- 10) Maintenance bypass Switch (covered)

**9 & 10**

(with Maintenance)